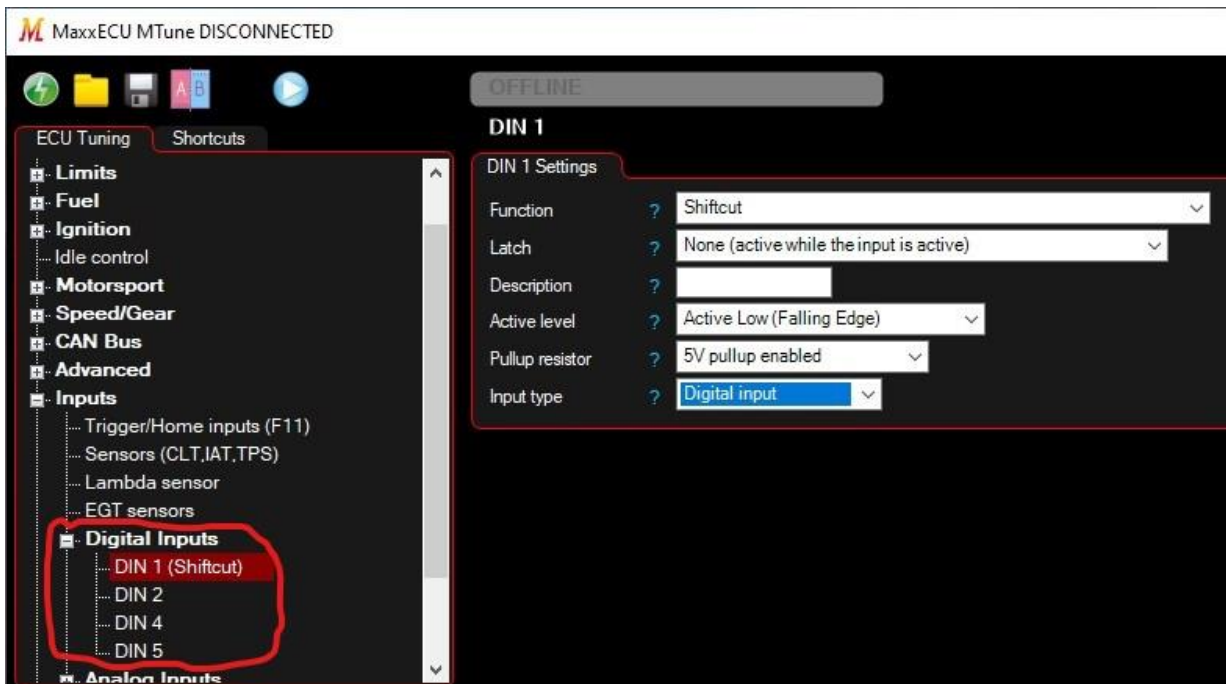




Document/File name TTT802_MaxxECURace.docx	Document Type External	Revision 1
First Revision, Sign and Date Bln 2021-08-20	Updated Revision, Sign and Date	Document Status and Sign Approved Lan
Document and Product Description Interfacing MaxxECU Race to TTT802 Gearshift Controller		Page 1 (4)

Interfacing MaxxECU Race to TTT802 Gearshift Controller Adjust Settings in the MaxxECU M Tune according to this information...



Use one of the four Digital inputs for the Cut output from TTT802



Document/File name TTT802_MaxxECURace.docx	Document Type External	Revision 1
First Revision, Sign and Date Bln 2021-08-20	Updated Revision, Sign and Date	Document Status and Sign Approved Lan
Document and Product Description Interfacing MaxxECU Race to TTT802 Gearshift Controller		Page 2 (4)

MaxxECU MTune DISCONNECTED

Shiftcut

Shiftcut

Enable shiftcut ? Enabled

Shiftcut mode ? Input controlled (Shiftcut input)

Cut output ? Cut Ignition

Shiftcut conditions

Enable cut above TPS ? 0.0 %

Enable cut above RPM ? 800

Activation delay time ? 0.000 sec

Reactivation time ? 0.000 sec

Max cut time ? 2.0

Shiftcut ignition retard

Retard angle

		Ignition retard (degrees)									
Throttle position (%)		100.0	0.0	0.0	0.0	0.0	0.0	0.0	0.0	0.0	0.0
100.0	0.0	0.0	0.0	0.0	0.0	0.0	0.0	0.0	0.0	0.0	0.0
0.0	0.0	0.0	0.0	0.0	0.0	0.0	0.0	0.0	0.0	0.0	0.0
		2000	2750	3500	4250	5000	5750	6500	7250	8000	
		RPM (rpm)									

Ramp back time

		Ramp time (sec)									
Throttle position (%)		100.0	0.000	0.000	0.000	0.000	0.000	0.000	0.000	0.000	0.000
100.0	0.0	0.000	0.000	0.000	0.000	0.000	0.000	0.000	0.000	0.000	0.000
0.0	0.0	0.000	0.000	0.000	0.000	0.000	0.000	0.000	0.000	0.000	0.000
		2000	2750	3500	4250	5000	5750	6500	7250	8000	
		RPM (rpm)									

Wire connections.

Use extension cable (TTT Part # 12-650-6) to interface the MaxxECU Race with the TTT802 cable harness (TTT Part # 12-630-8).

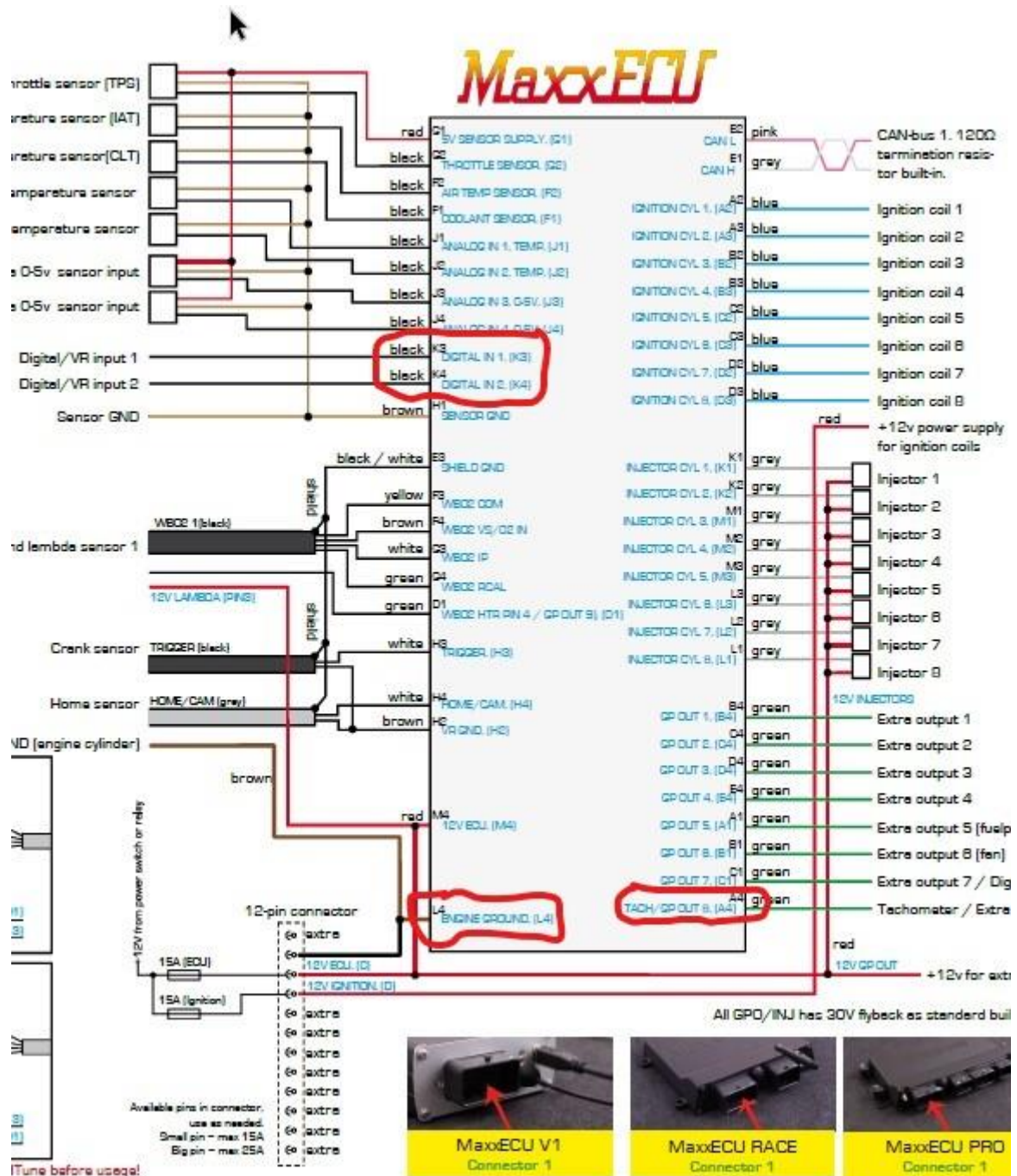
Red – Cut Open Collector – connects to one of the MaxxECU Race Digital Input **Pin K3, K4** connector 1, **Pin F3, F4** connector 2.

Blue – Cut Gnd – connects to MaxxECU Race Engine Ground **Pin L4**

White – Ign pulse – connects to MaxxECU Race Tachometer / Extra Output **Pin A4**

Black - Gnd Ign pulse – connect to MaxxECU Race Engine Ground **Pin L4**

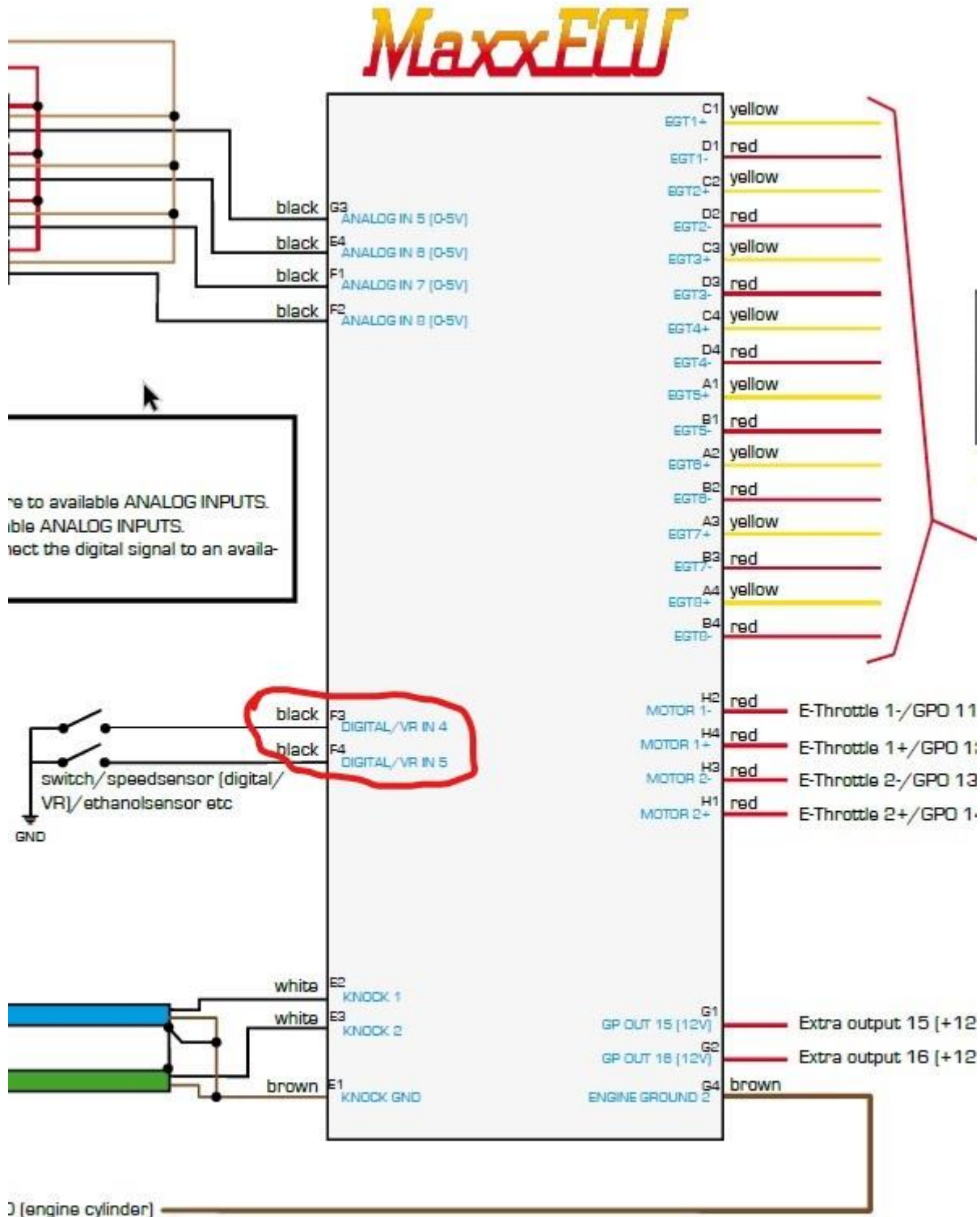
Interfacing MaxxECU Race to TTT802 Gearshift Controller





Document/File name TTT802_MaxxECURace.docx	Document Type External	Revision 1
First Revision, Sign and Date Bln 2021-08-20	Updated Revision, Sign and Date	Document Status and Sign Approved Lan
Document and Product Description		Page 4 (4)

Interfacing MaxxECU Race to TTT802 Gearshift Controller



connected at the same spot as the ground on connector 1

