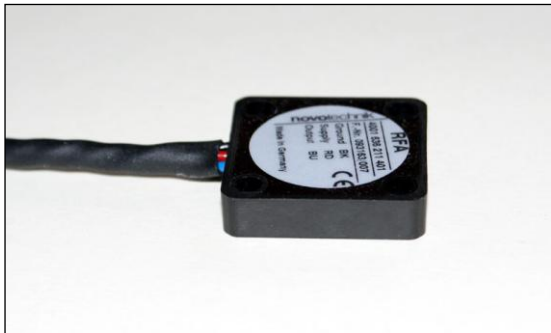




	Document/File name <b>DSC203753E.docx</b>	Document Type <b>External</b>	Revision <b>3</b>
First Revision, Sign and Date <b>Bln 2010-10-01</b>	Updated Revision, Sign and Date <b>Bln 2016-04-21</b>	Document Status and Sign <b>Approved Lan</b>	Page <b>1 (3)</b>
Document and Product Description <b>Description RFA360-5KP Pnr. 20-375-3</b>			

**Part # 20-375-3**

**RFA360** Contactless transmissive 360 degrees Rotary sensor with a fitted waterproof SureSeal connector. The RFA360 sensor have an unlimited mechanical lifetime and is normally used as a barrel sensor on sequential gearboxes. Directly connects to both TTT802 Gearshift Controller and TTT031 Gear Indicator cable harness.

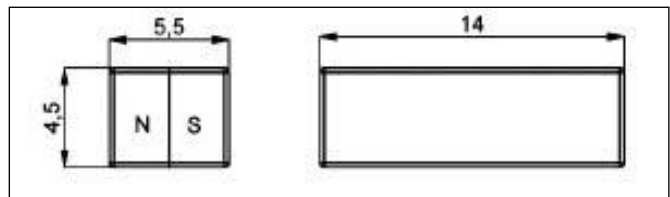


RFA360-5KP	Aprox: 0,45 m	3-pole SureSeal Female
------------	---------------	------------------------

**Weight:**

RFA360-5KP 28 grams  
Position Marker 4 grams

**Position marker** (magnet) **Z-RFC-P04**, sold separately with its own part number, # 20-390-6.



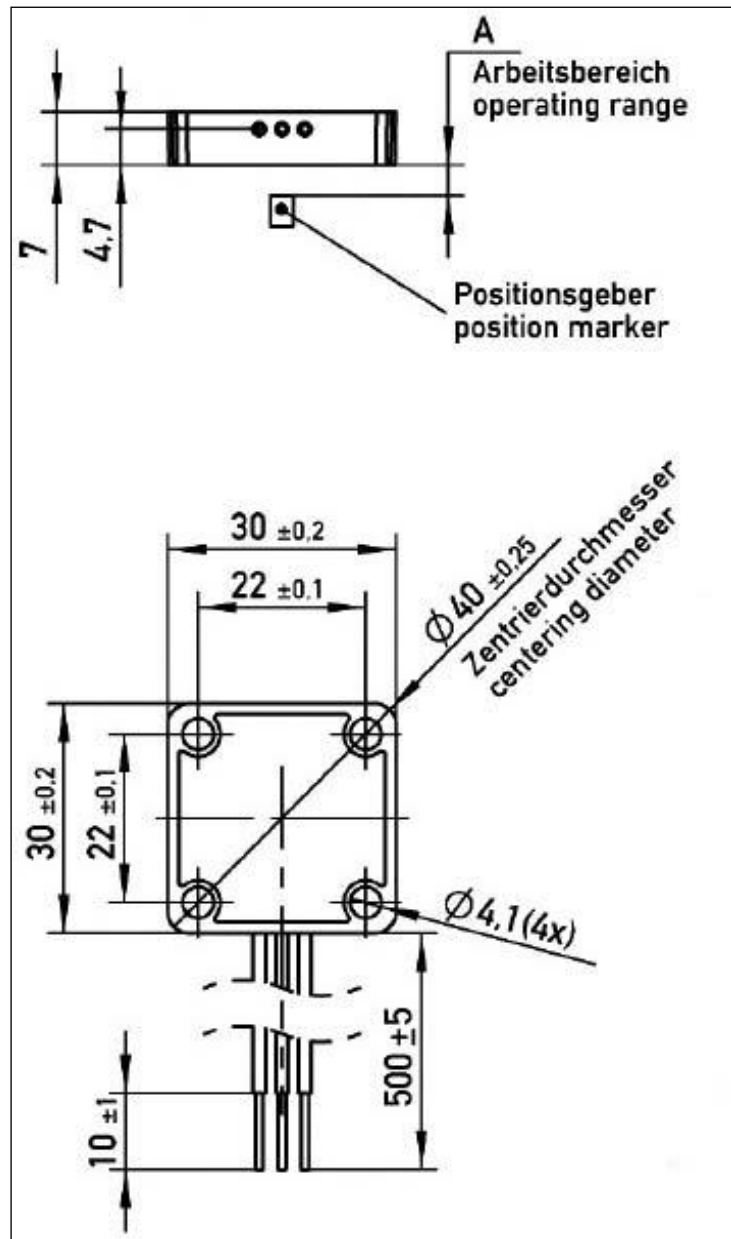
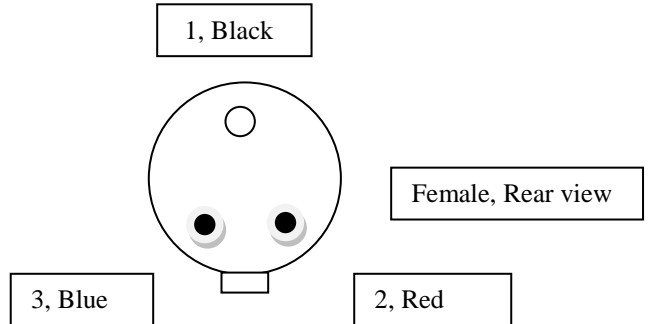


Document/File name <b>DSC203753E.docx</b>	Document Type <b>External</b>	Revision <b>3</b>
First Revision, Sign and Date <b>Bln 2010-10-01</b>	Updated Revision, Sign and Date <b>Bln 2016-04-21</b>	Document Status and Sign <b>Approved Lan</b>
Document and Product Description <b>Description RFA360-5KP Pnr. 20-375-3</b>		Page <b>2 (3)</b>

### Connector: 3-pole SureSeal Female

Marking: Pnr & Snr Length: 30mm  
 Clear crimp tube over marking length: 45mm Type: 6 / 2  
 Crimp tube length: 450mm Type: DR25 4,8 / 2,4  
 Crimp tube length: 30mm Type: ATUM 9 / 3

Black – con 1 (socket) - Gnd  
 Red – con 2 (pin) - + 5 Volt  
 Blue – con 3 (pin) - Signal





Document/File name <b>DSC203753E.docx</b>	Document Type <b>External</b>	Revision <b>3</b>
First Revision, Sign and Date <b>Bln 2010-10-01</b>	Updated Revision, Sign and Date <b>Bln 2016-04-21</b>	Document Status and Sign <b>Approved Lan</b>
Document and Product Description <b>Description RFA360-5KP Pnr. 20-375-3</b>		Page <b>3 (3)</b>

Basically; the Sensor is sensitive against ferromagnetic parts in close proximity and DC magnetic fields.

To reduce influences from external magnetic fields and ferromagnetic materials, the distance between the magnet and the Sensor should be kept small, refer to allowed operating ranges.

**Only Magnets being approved by Novotechnik may be used !**

**Operating ranges Position markers:**

**Z-RFC-P04: A = 2,5...6 mm**

**Definition of center position :**

**Kabelversion / cable version**

**Sicht auf Aktive Seite / View on active side !**

