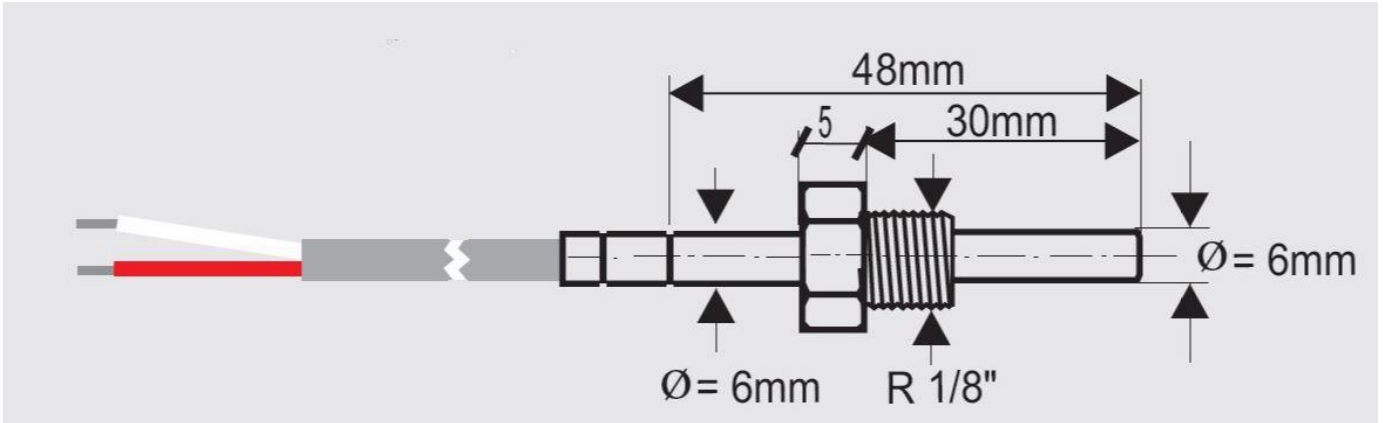




Document/File name <b>DSC201313E.doc</b>	Document Type <b>External</b>	Revision <b>1</b>
First Revision, Sign and Date <b>Bln 2019-04-02</b>	Updated Revision, Sign and Date	Document Status and Sign <b>Approved Lan</b>
Document and Product Description <b>Tempensor E-NTC-LPS-1,5S-9 D6 R1/8" 1,5m Flying wires. Pnr # 20-131-3</b>		Page <b>1 (2)</b>



**NTC temperature sensor - Stainless steel probe with flying wires**



<b>Cable</b>	<b>Silicon 1.5m</b>
<b>Temperature range</b>	<b>-50 to +150 C</b>
<b>Accuracy</b>	<b>+/-0.5 C</b>



Document/File name <b>DSC201313E.doc</b>	Document Type <b>External</b>	Revision <b>1</b>
First Revision, Sign and Date <b>Bln 2019-04-02</b>	Updated Revision, Sign and Date	Document Status and Sign <b>Approved Lan</b>
Page <b>2 (2)</b>		
Document and Product Description <b>Tempsensor E-NTC-LPS-1,5S-9 D6 R1/8" 1,5m Flying wires. Pnr # 20-131-3</b>		

### Temperature / resistance table

TEMPERATURE CELSIUS	RESISTANCE KOHM
-50	329.5
-40	188.5
-30	111.3
-20	67.77
-10	42.47
+/-0	27.28
+10	17.96
+20	12.09
<b>+25</b>	<b>10.00</b>
+30	8.313
+40	5.827
+50	4.160
+60	3.020
+70	2.228
+80	1.668
+90	1.266
+100	0.973
+110	0.758
+120	0.591
+130	0.470
+140	0.377
+150	0.305

### Resistance tolerance / temperature

