



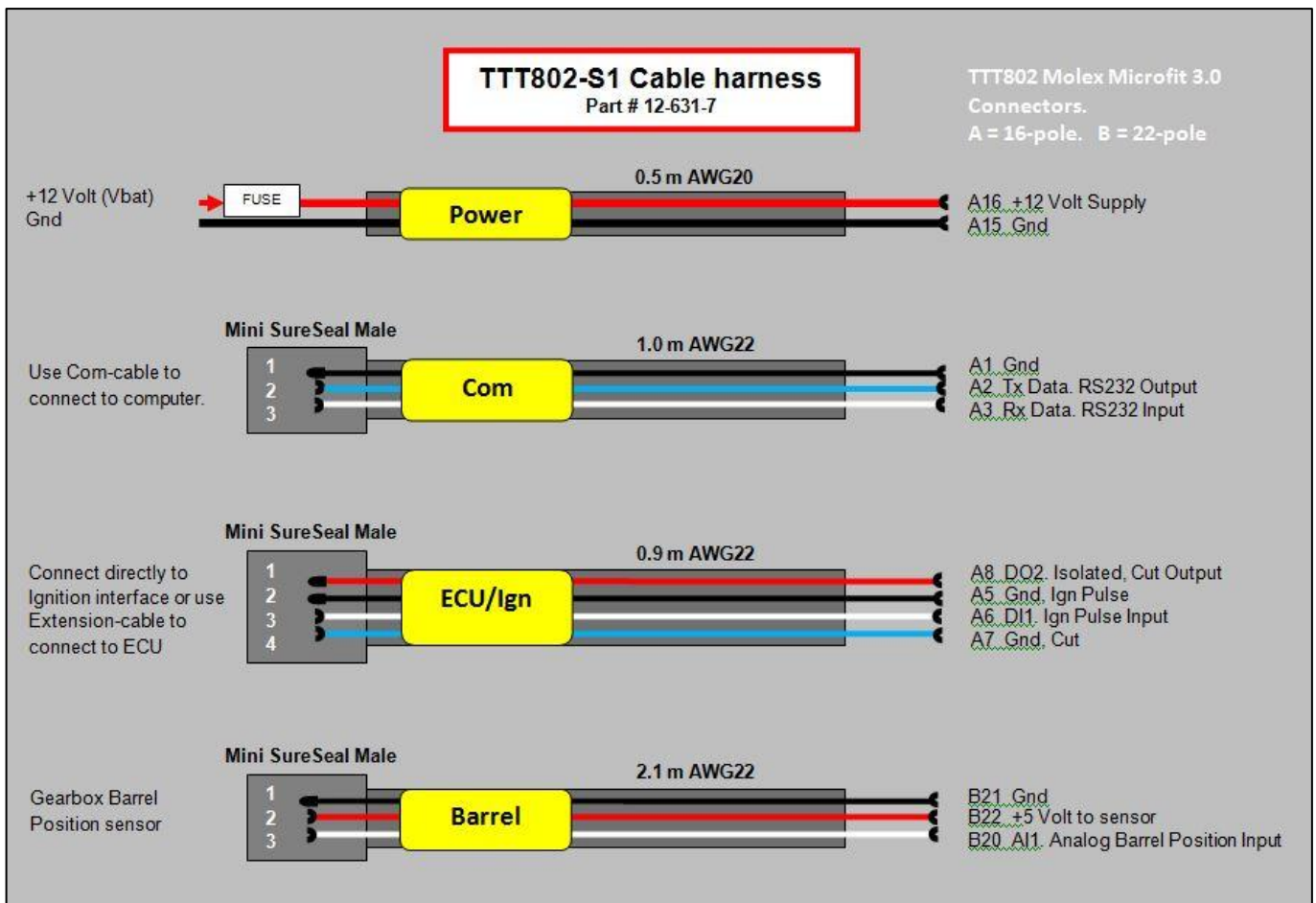
Document/File name DSC126317E	Document Type External	Revision 4
First Revision, Sign and Date Bln 2015-10-28	Updated Revision, Sign and Date Bln 2017-01-27	Document Status and Sign Approved Lan
Page 1 (2)		
Document and Product Description Description TTT802-S1 Cable harness Pnr. 12-631-7		

Part # 12-631-7

Professional Raychem
DR25/Spec.44 Cable harness for
the TTT802 Gearshift Controller
with Flatshift. Harness with fitted
Waterproof connectors

Power	0,5 m	Flying leads
Com	1,0 m	3-pole SureSeal Male
ECU/Ign	0,9 m	4-pole SureSeal Male
Barrel	2,1 m	3-pole SureSeal Male

All cables are clearly marked. Custom
lengths and/or connectors on request.



TTT802/A – 16 pole Connector: Molex Microfit 3,0 430251600

Length crimp tube to connector housing: 30mm
Crimp tube length: 160mm Type: DR25 4.8 / 2.4
Crimp tube length: 15mm Type: ATUM 6 / 2



Document/File name DSC126317E	Document Type External	Revision 4
First Revision, Sign and Date Bln 2015-10-28	Updated Revision, Sign and Date Bln 2017-01-27	Document Status and Sign Approved Lan
Document and Product Description Description TTT802-S1 Cable harness Pnr. 12-631-7		Page 2 (2)

TTT802/B – 22 pole Connector: Molex Microfit 3,0 430252200

Marking: TTT Racing Products Pnr: 12-631-7 Snr: XXXX Length: 30mm

Clear crimp tube over marking length: 45mm Type: 6 / 2

Length crimp tube to connector housing: 30mm

Crimp tube length: 15mm Type: ATUM 9 / 3

“Y – Crimp” Type: ATUM 9/3 50mm

Com Connector: 3-pole SureSeal Male

Cable Length: 1250mm

Marking: Com Length: 30mm

Clear crimp tube over marking length: 45mm Type: 6 / 2

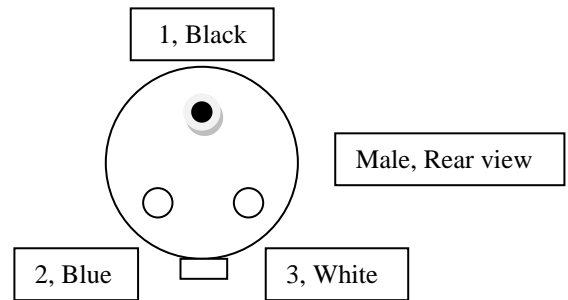
Crimp tube length: 975mm Type: DR25 3.2 / 1.6

Crimp tube length: 30mm Type: ATUM 9 / 3

Connector A1 – Black AWG22 – con 1 (pin) - Gnd

Connector A2 – Blue AWG22 – con 2 (socket) - Signal Tx

Connector A3 – White AWG22 – con 3 (socket) - Signal Rx



ECU/Ign Connector: 4-pole SureSeal Male

Cable Length: 1200mm

Marking: ECU/Ign Length: 30mm

Clear crimp tube over marking length: 45mm Type: 6 / 2

Crimp tube length: 925mm Type: DR25 4.8 / 2.4

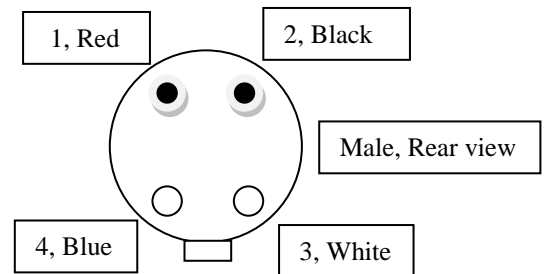
Crimp tube length: 30mm Type: ATUM 9 / 3

Connector A5 – Black AWG22 – con 2 (pin) - Gnd Ign puls

Connector A6 – White AWG22 – con 3 (socket) – Ign pulse

Connector A7 – Blue AWG22 – con 4 (socket) – Cut Gnd

Connector A8 – Red AWG22 – con 1 (pin) – Cut Open Collector



Power Flying wires

Cable Length: 875mm

Marking: Power Red +12V Length: 30mm

Clear crimp tube over marking length: 45mm Type: 6 / 2

Crimp tube length: 525mm Type: DR25 3.2 / 1.6

Crimp tube length: 15mm Type: ATUM 4 / 1

Connector A15 - Black AWG20

Connector A16 - Red AWG20

Barrel Connector: 3-pole SureSeal Male

Cable Length: 2500mm

Marking: Barrel Length: 30mm

Clear crimp tube over marking length: 45mm Type: 6 / 2

Crimp tube length: 2360mm Type: DR25 3.2 / 1.6

Crimp tube length: 30mm Type: ATUM 9 / 3

Connector B20 – White AWG22 – con 3 (socket) - Signal

Connector B21 – Black AWG22 – con 1 (pin) - Gnd

Connector B22 – Red AWG22 – con 2 (socket) - +5V

